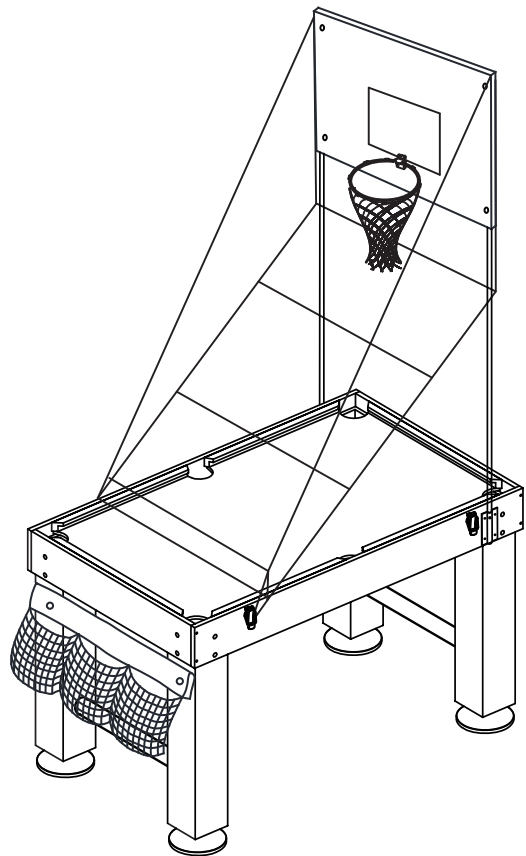
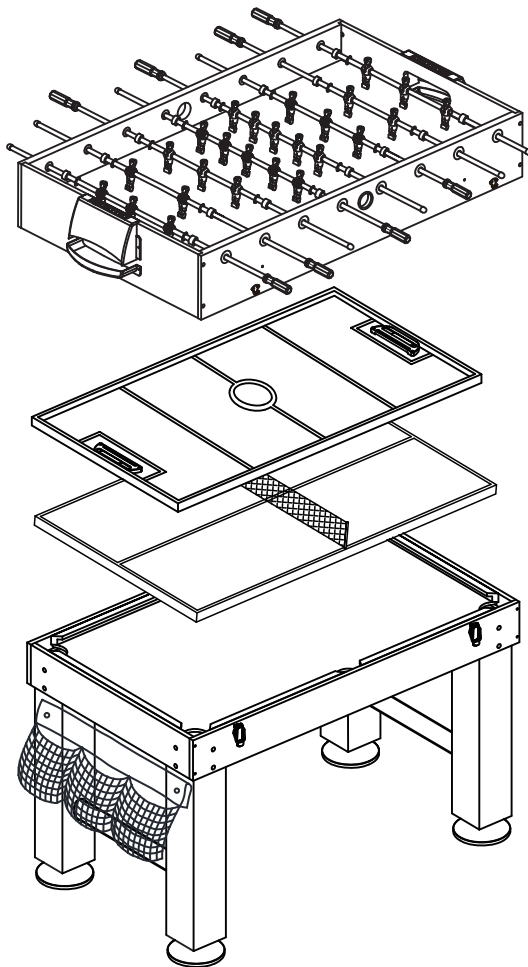




# KICK Minotaur 48"

(Brown/Black)

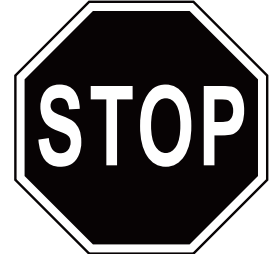
5 IN 1 MULTI-GAME FOOTBALL TABLE  
ASSEMBLY INSTRUCTIONS



FY450

# Assembly Instructions

WARNING: TWO ADULTS ARE NEEDED TO ASSEMBLE THE SOCCER TABLE



## Official Website of KICK Foosball Tables



IF YOUR TABLE HAS DAMAGES, MISSING PARTS, OR YOU ARE NOT **100%** SATISFIED PLEASE CONTACT **KICK, NOT THE RESELLER.**

← SCAN THIS QR CODE TO CONTACT US IF YOU FACE ANY ISSUES.

FOR THE LATEST INSTRUCTION MANUALS, VIDEOS, TABLE ASSEMBLY INFO, DIFFERENT GOALIE SETUPS, PLAYER TYPES, AND OTHER HELPFUL TIPS - PLEASE VISIT THE LINK BELOW OR SCAN THIS QR CODE →

[www.KICKFoosballTables.com/Instructions/](http://www.KICKFoosballTables.com/Instructions/)



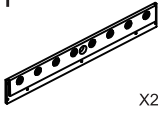
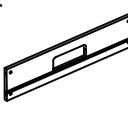
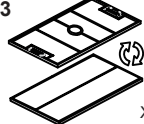
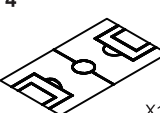
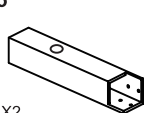
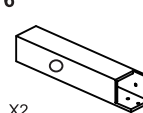
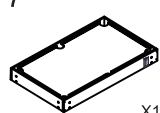

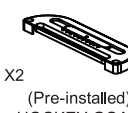



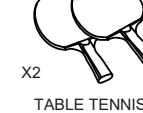

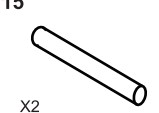

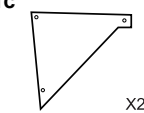
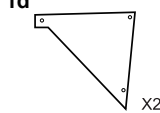
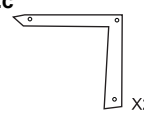
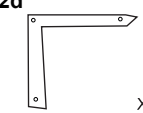
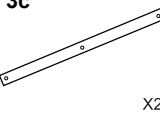
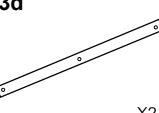
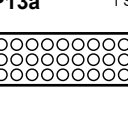
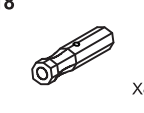




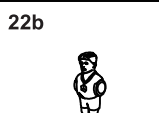
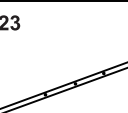
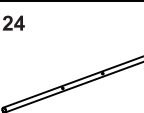
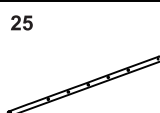

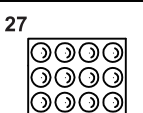





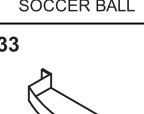
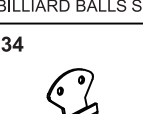
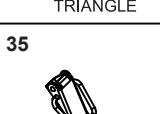
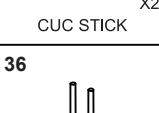
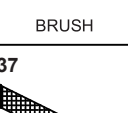
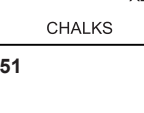
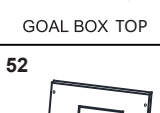



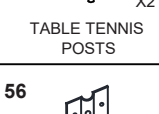
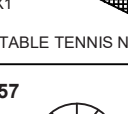
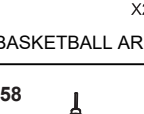
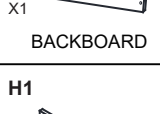

### **CONTACT INFORMATION:**

**Email:** Support@KICKFoosballTables.com  
**Website:** www.KICKFoosballTables.com  
**Phone:** 1 (866) 844-KICK (5425) or (210) 664-8934

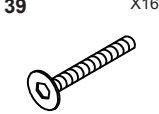
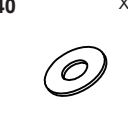


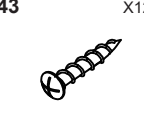
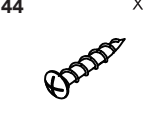
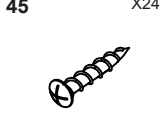
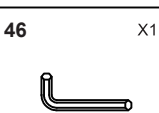
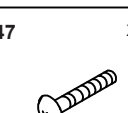
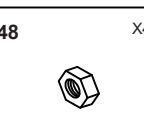
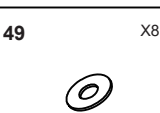
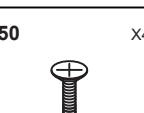
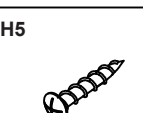
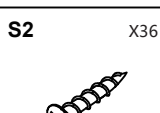
### **MAILING ADDRESS:**

KICK Sports  
PO Box 790311  
San Antonio, Texas 78279

# PARTS LIST

1  SIDE PANEL X2	2  END PANEL X2	3  TABLE TENNIS HOCKEY X1	4  PLAYFIELD X1	5  RIGHT LEG X2	6  LEFT LEG X2	7  BILLIARD TABLE X1
8  SUPPORT BRACE X2	9  (Pre-installed) HOCKEY GOAL X2	10  PUCK X2	11  STRIKER X2	12  TABLE TENNIS BALL X2	13  TABLE TENNIS PADDLE X2	14  LEG LEVELER X4
15  LEG CROSS ROD X2	16  STOP RING X4	1c  TRIANGLE a X2	1d  TRIANGLE b X2	2c  L STYLE PLASTIC a X2	2d  L STYLE PLASTIC b X2	3c  LONG PLASTIC a X2
3d  LONG PLASTIC b X2	P13a  SCREW HOLE CAP (to cover the hole of the screws S1) 1 SET	18  ROD HANDLE X8	19  ROD END CAP X8	20  ROD BUMPER X16	21  ROD WASHER X16	22a  PLAYER X13
22b  PLAYER X13	23  3 PLAYER ROD X4	24  2 PLAYER ROD X2	25  5 PLAYER ROD X2	26  SOCCER BALL X2	27  BILLIARD BALLS SET X1	28  TRIANGLE X1
29  CUC STICK X2	30  BRUSH X1	31  CHALKS X2	32  GOAL BOX TOP X2	33  GOAL BOX BOTTOM X2	34  LOCKER X4	35  LOCKER X4
36  TABLE TENNIS POSTS X2	37  TABLE TENNIS NET X1	51  BASKETBALL ARM X2	52  BACKBOARD X1	53  BASKETBALL RIM X1	54  BASKETBALL NET X1	55  BASKETBALL RETURN NET X1
56  (Pre-installed) METAL BRACKET X2	57  BASKETBALL X1	58  AIR PUMP X1	H1  ACCESSORY PANEL X1	H3  ACCESSORY HOLDER X1		

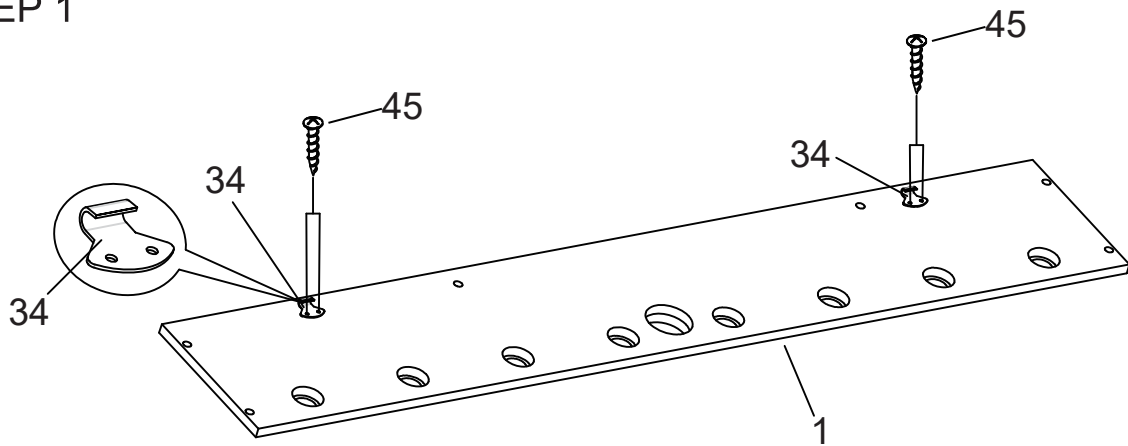
# HARDWARE

39  5/16" x 1" BOLT X16	40  5/16" WASHER X16	41  1/8" x 3/4" BOLT X26	42  1/8" NUT X26	43  1/8" x 1-3/4" SCREWS X12	44  1/8" x 5/8" SCREWS X8	45  1/8" x 1/2" SCREWS X24
46  ALLEN WRENCH X1	47  M4X1-1/4" BOLT X4	48  M4 NUT X4	49  3X13mm WASHER X8	50  F3.5X3/4" SCREWS X4	H5  1/8" x 1" SCREWS X2	S2  3/8" FLAT HEAD SCREWS X36

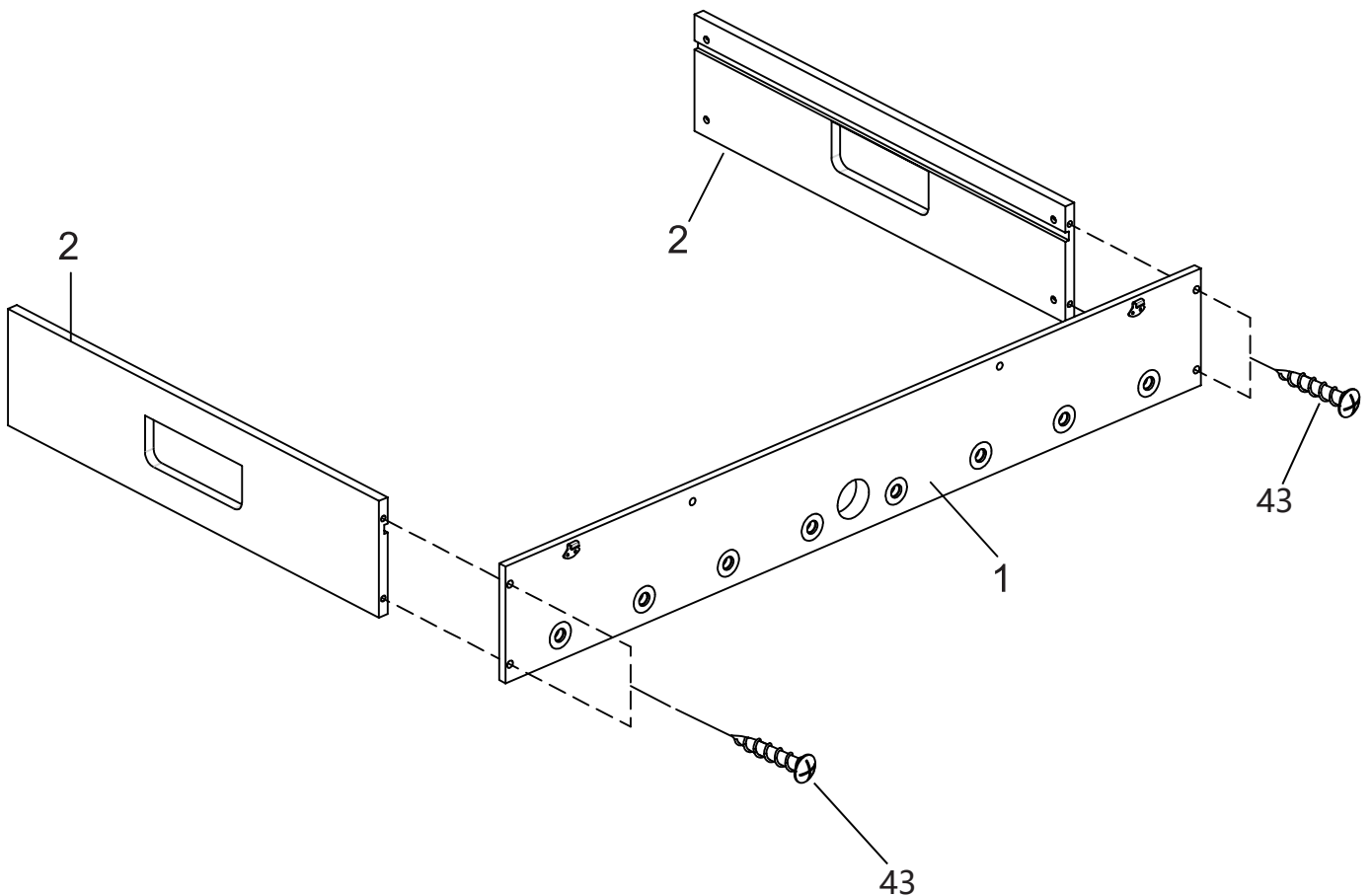
# Assembly Instructions

WARNING: TWO ADULTS ARE NEEDED TO ASSEMBLE THE SOCCER TABLE

## STEP 1



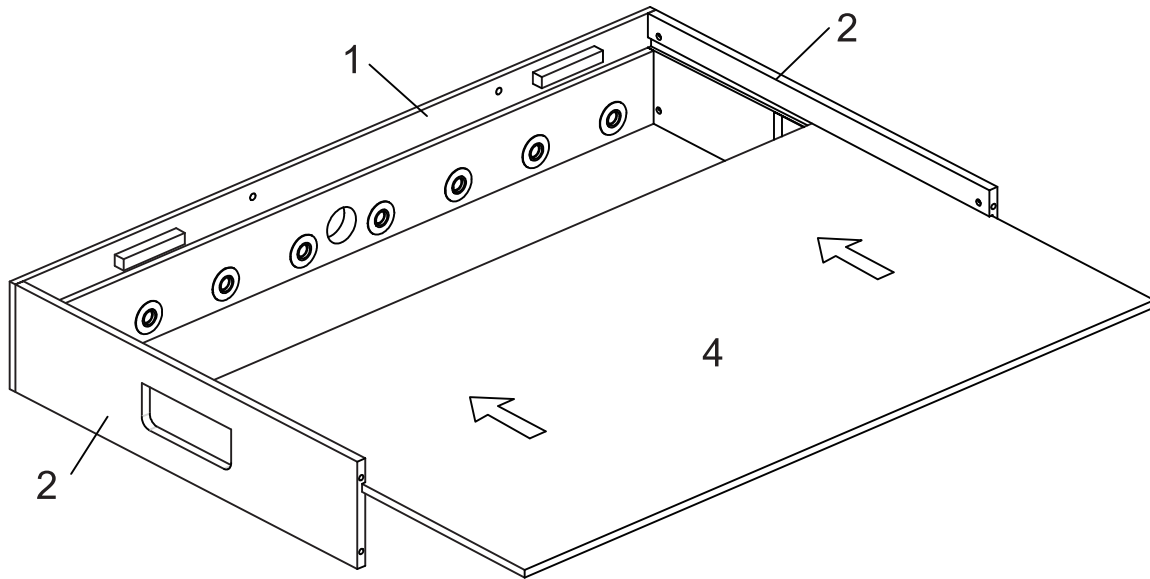
## STEP 2



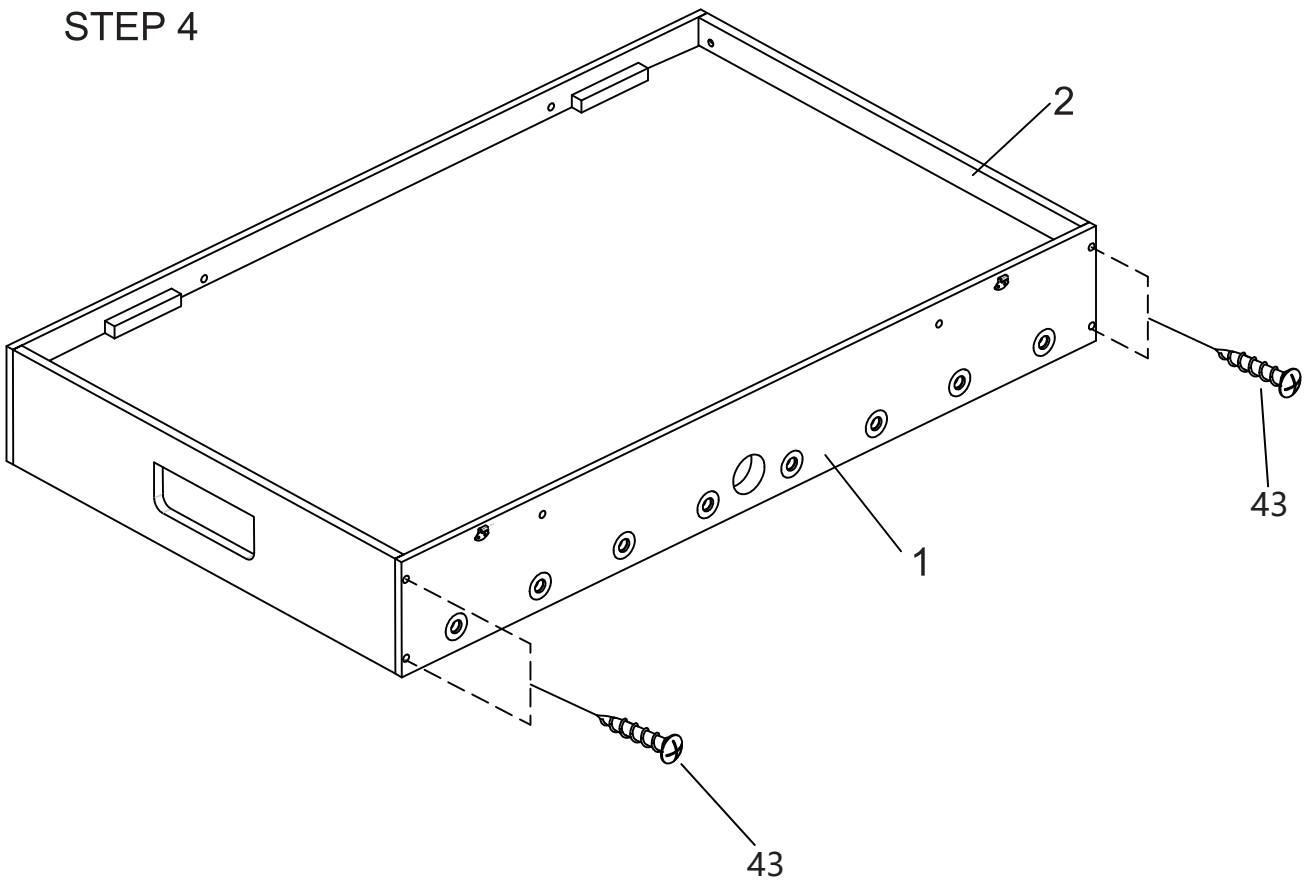
# Assembly Instructions

WARNING: TWO ADULTS ARE NEEDED TO ASSEMBLE THE SOCCER TABLE

## STEP 3



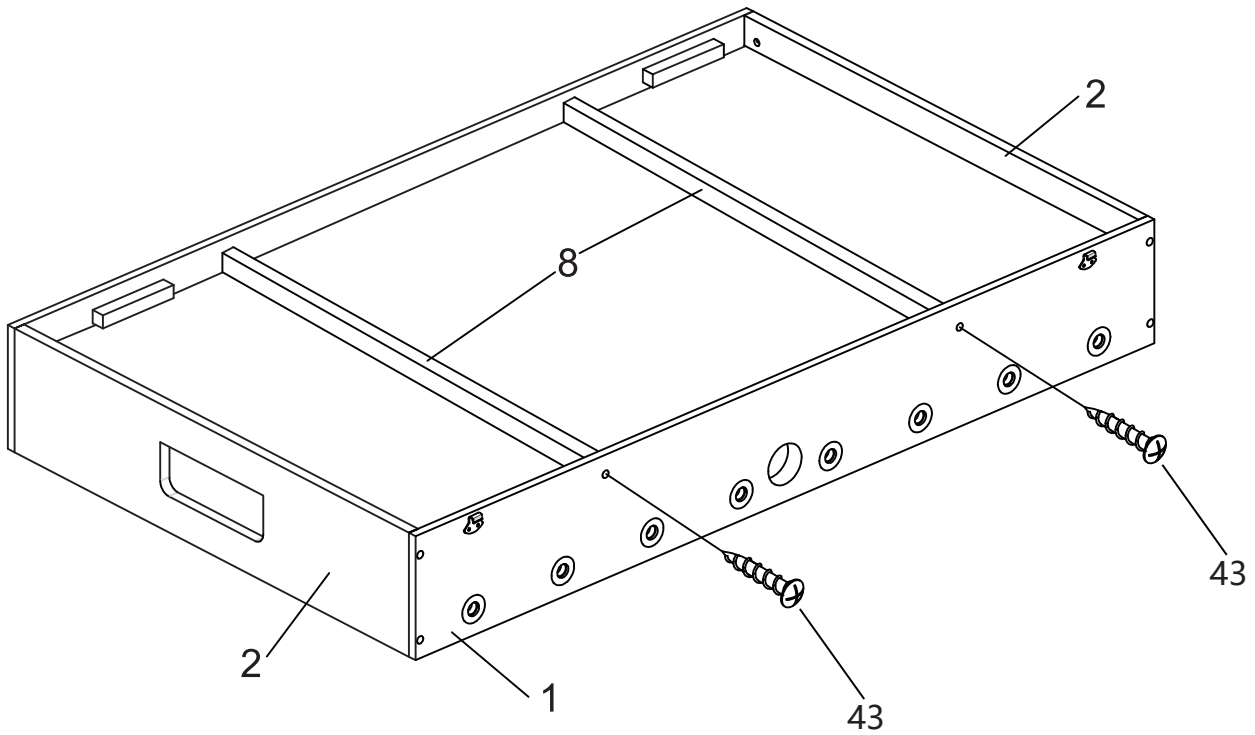
## STEP 4



# Assembly Instructions

WARNING: TWO ADULTS ARE NEEDED TO ASSEMBLE THE SOCCER TABLE

## STEP 5

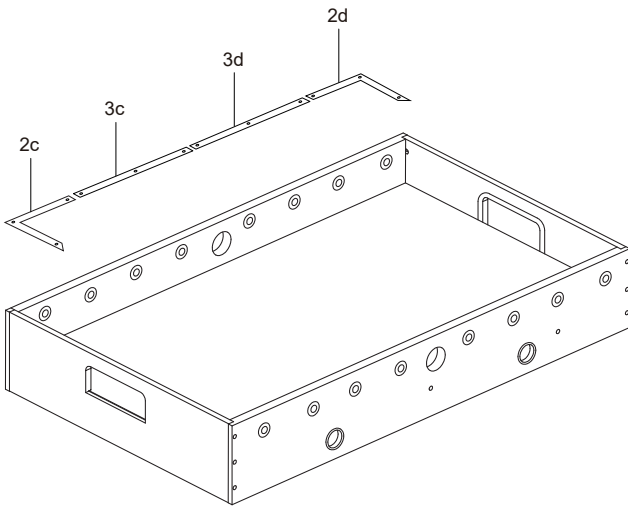


# Assembly Instructions

**WARNING: TWO ADULTS ARE NEEDED TO ASSEMBLE THE SOCCER TABLE**

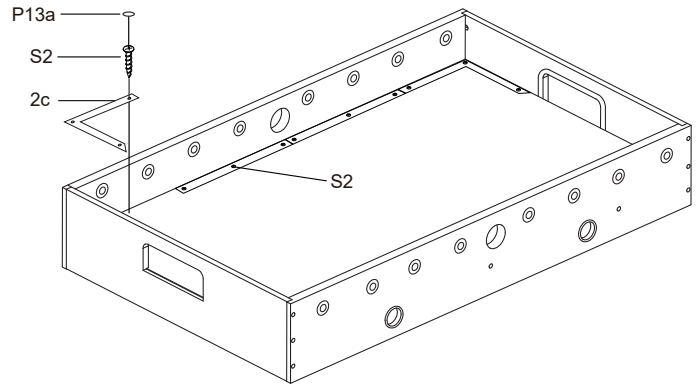
## STEP 6A

Steps 6A to 6E are optional if you want.



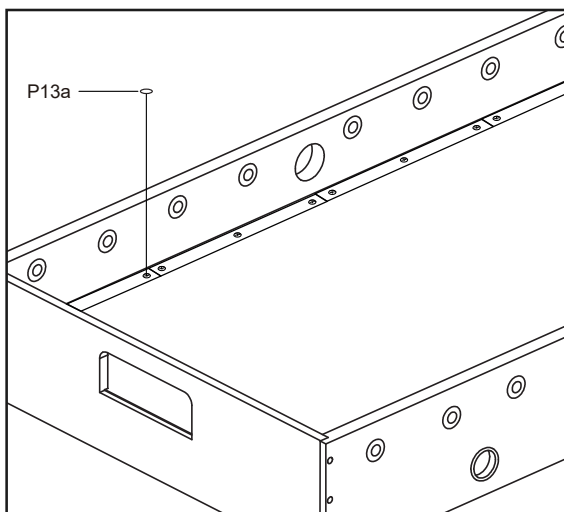
## STEP 6B

Attach the plastic 2c, 2d, 3c, 3d to the playing field with S2.

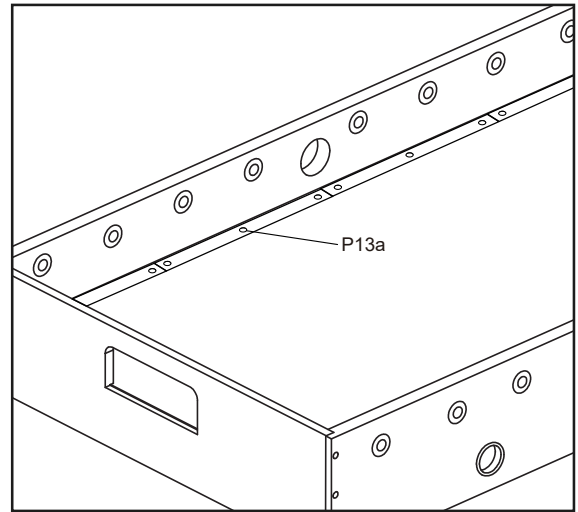


## STEP 6C

Cover the Screw Hole Cap P13a to the screw hole.



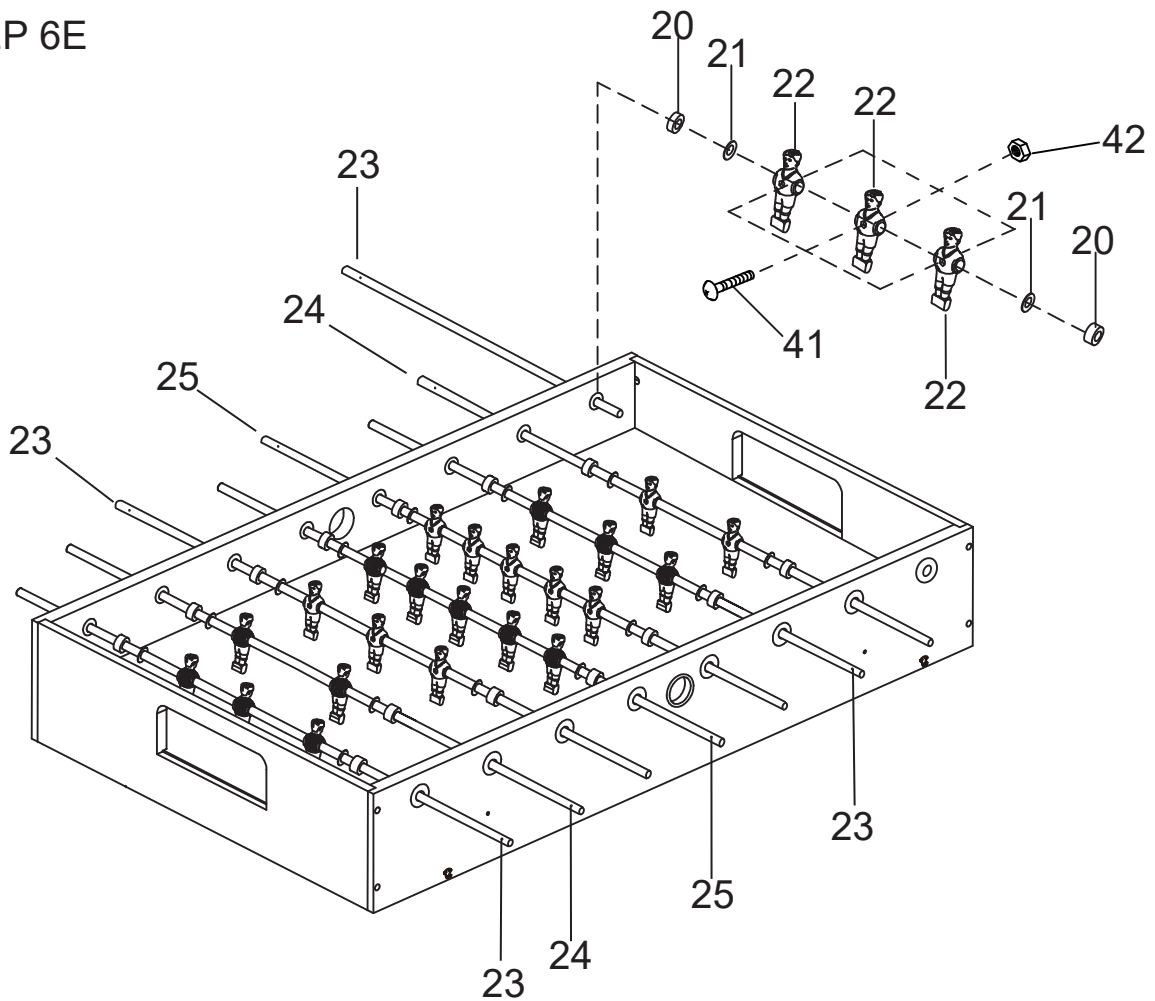
## STEP 6D



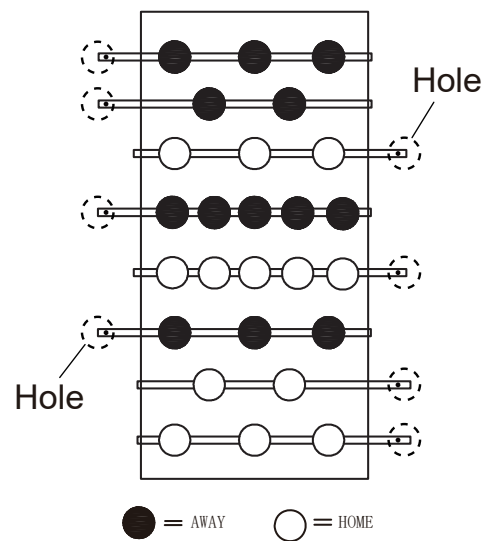
# Assembly Instructions

WARNING: TWO ADULTS ARE NEEDED TO ASSEMBLE THE SOCCER TABLE

## STEP 6E



*Insert the rod end part way through one side panel, and then place the rest of the parts needed on each rod, in the order shown, before inserting through the other side panel.*



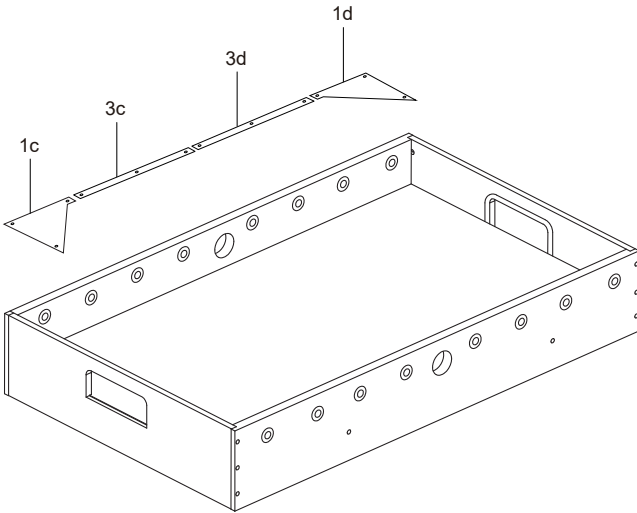


# Assembly Instructions

**WARNING: TWO ADULTS ARE NEEDED TO ASSEMBLE THE SOCCER TABLE**

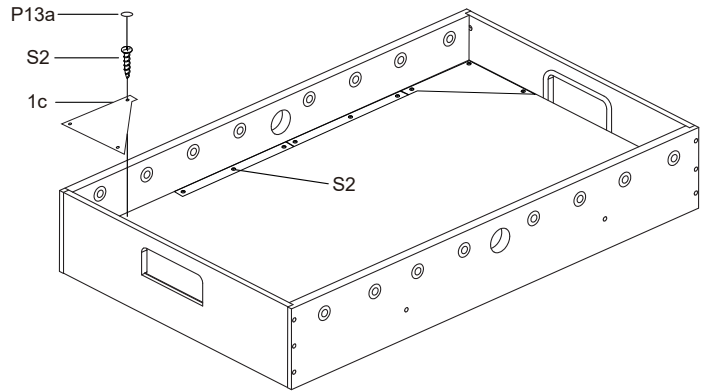
## STEP 7A

Steps 7A to 7E are optional if you want.



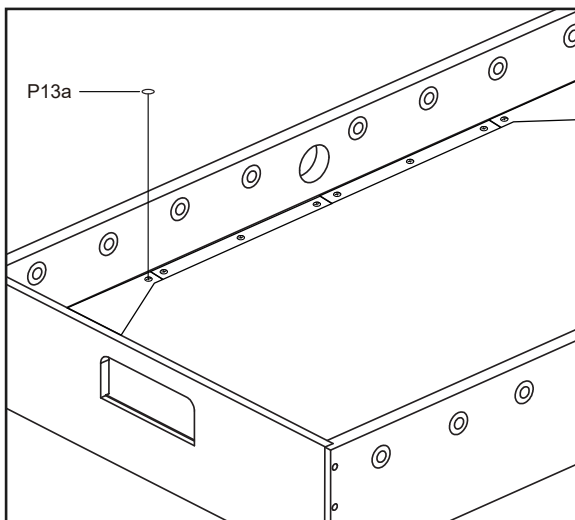
## STEP 7B

Attach the plastic 1c, 1d, 3c, 3d to the playing field with S2.

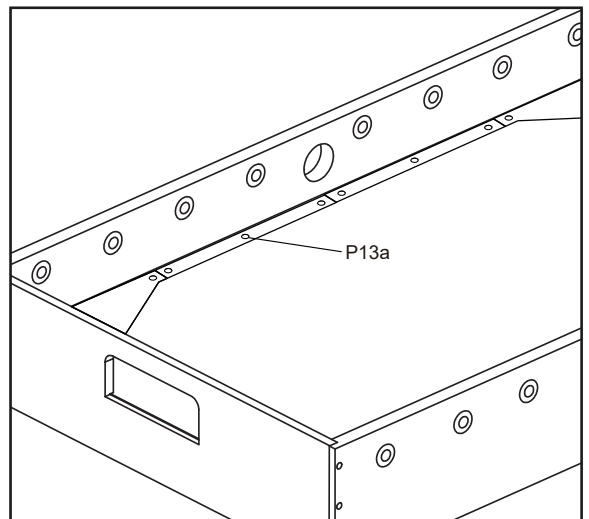


## STEP 7C

Cover the Screw Hole Cap P13a to the screw hole.



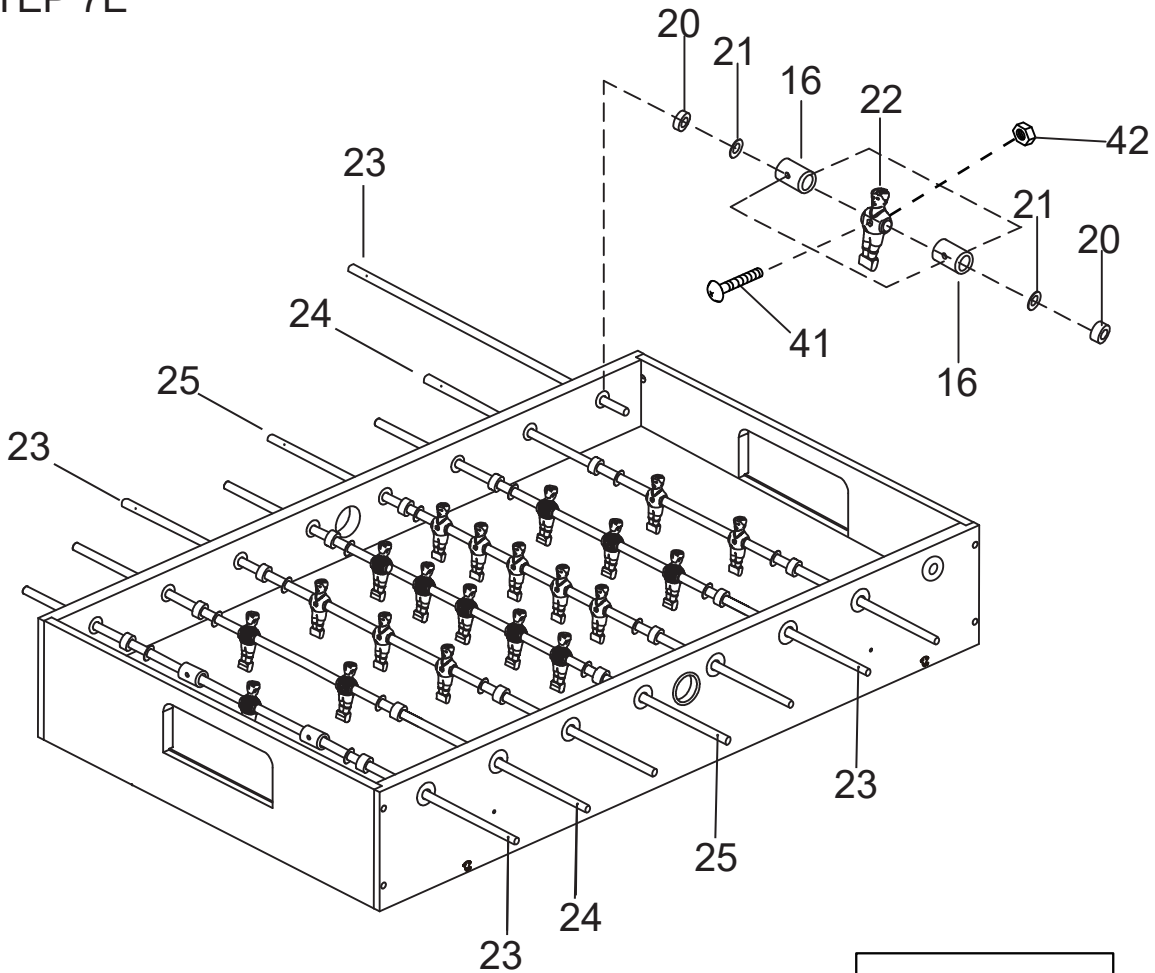
## STEP 7D



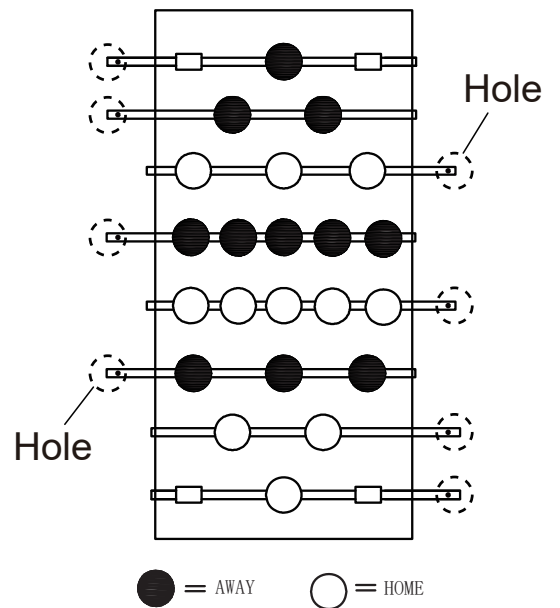
# Assembly Instructions

**WARNING: TWO ADULTS ARE NEEDED TO ASSEMBLE THE SOCCER TABLE**

## STEP 7E



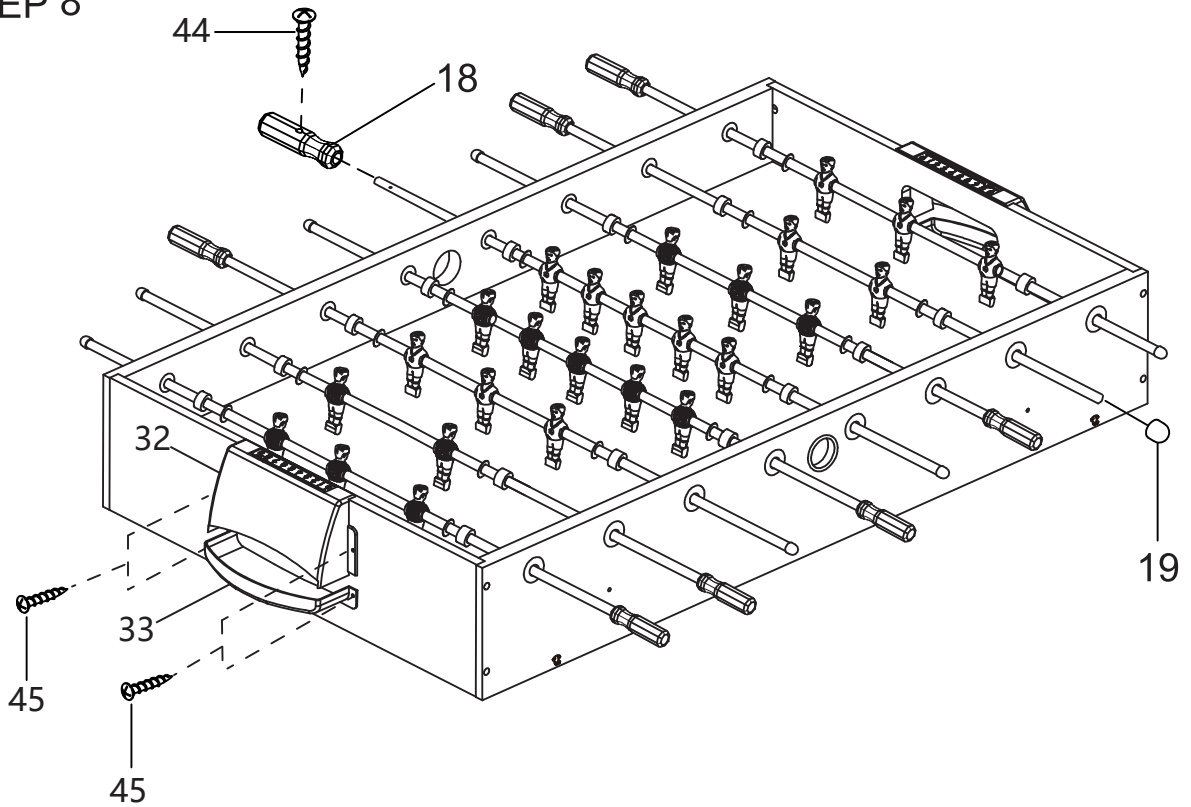
*Insert the rod end part way through one side panel, and then place the rest of the parts needed on each rod, in the order shown, before inserting through the other side panel.*



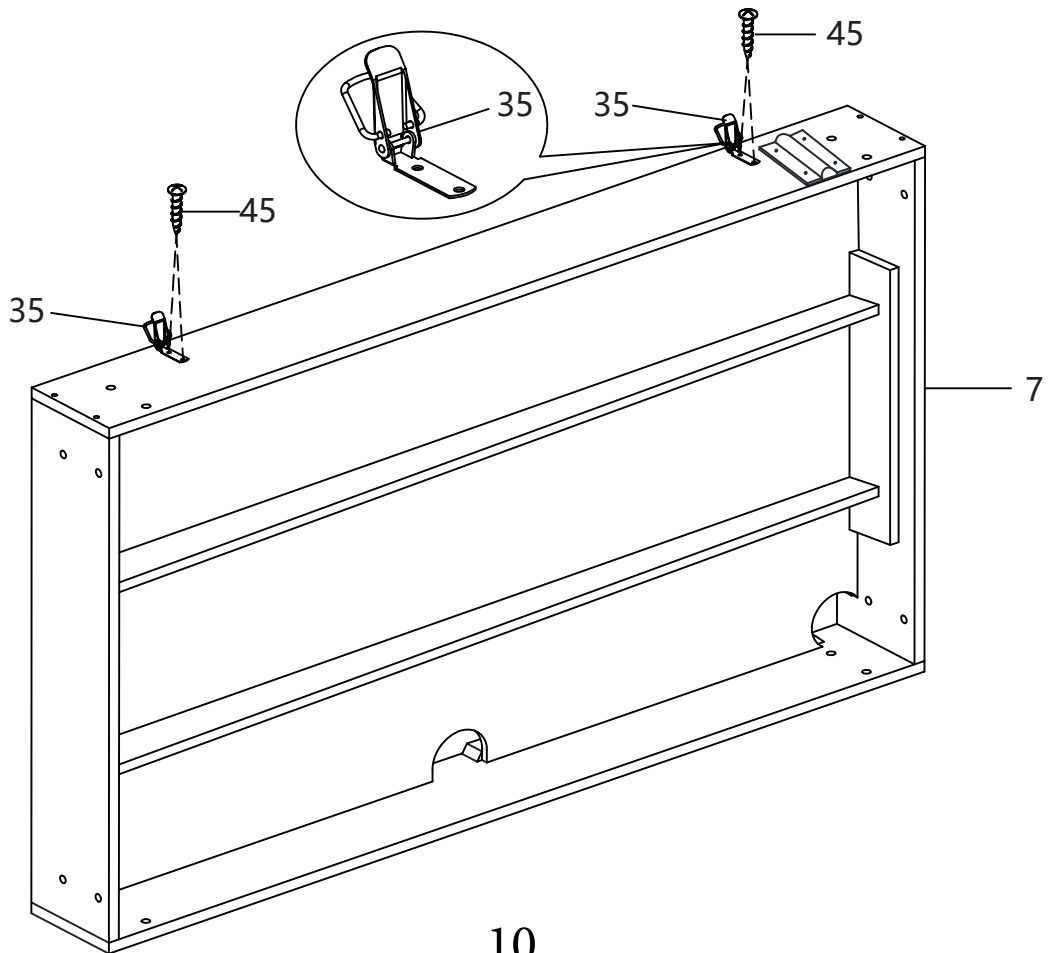
# Assembly Instructions

WARNING: TWO ADULTS ARE NEEDED TO ASSEMBLE THE SOCCER TABLE

## STEP 8



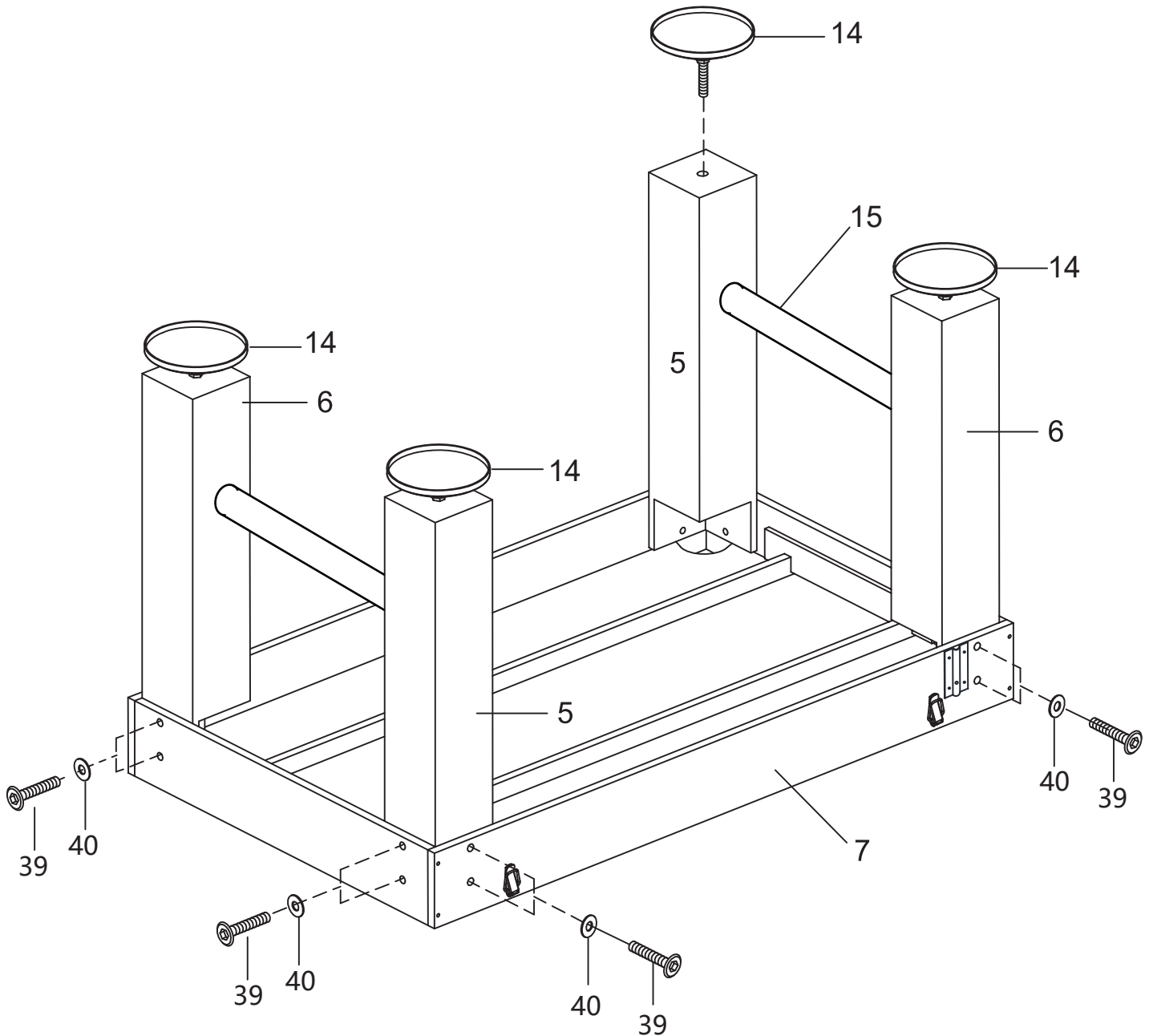
## STEP 9



# Assembly Instructions

WARNING: TWO ADULTS ARE NEEDED TO ASSEMBLE THE SOCCER TABLE

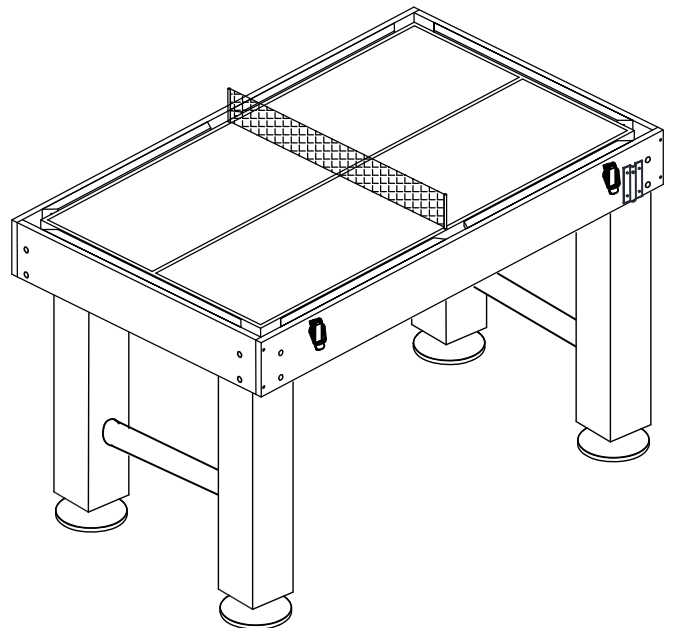
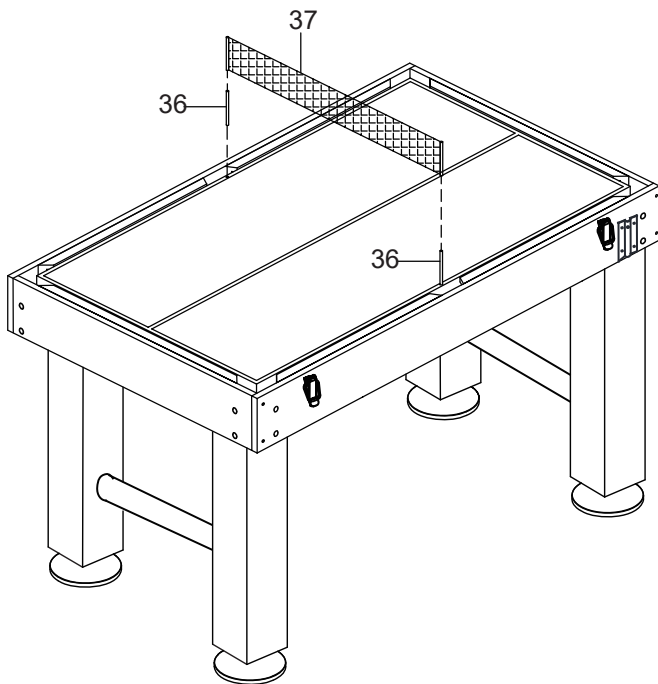
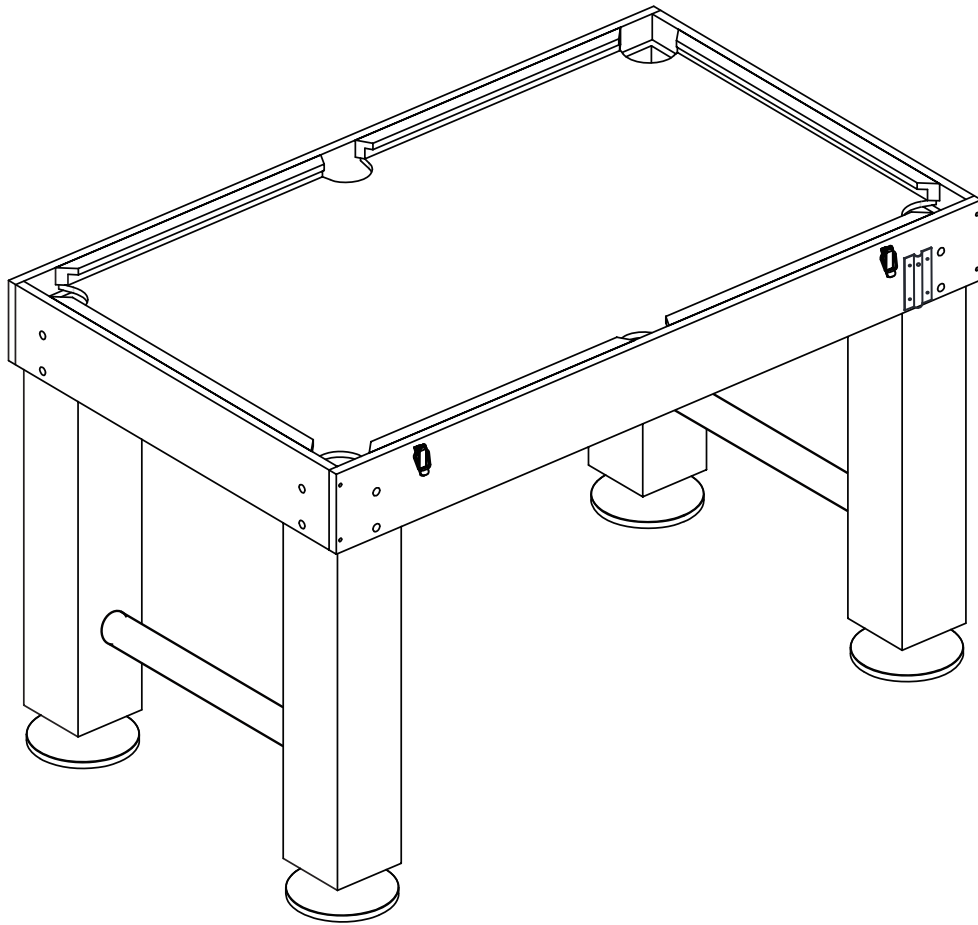
## STEP 10



# Assembly Instructions

WARNING: TWO ADULTS ARE NEEDED TO ASSEMBLE THE SOCCER TABLE

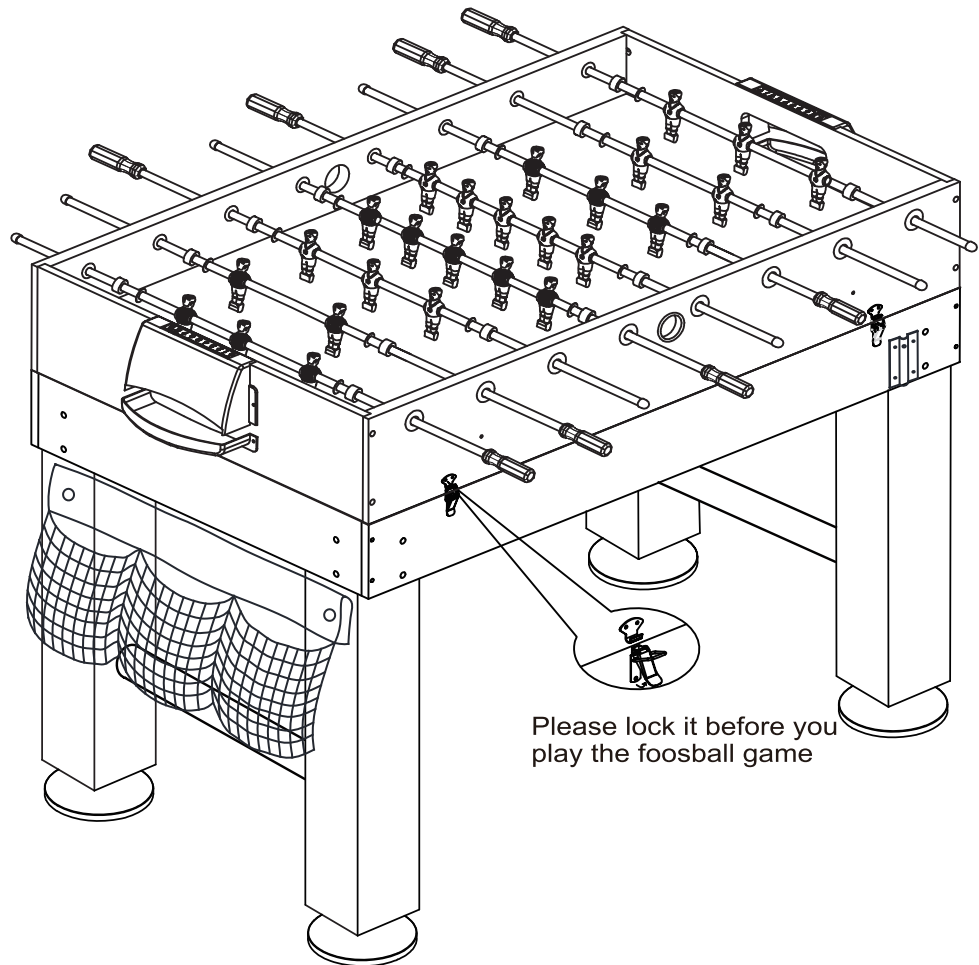
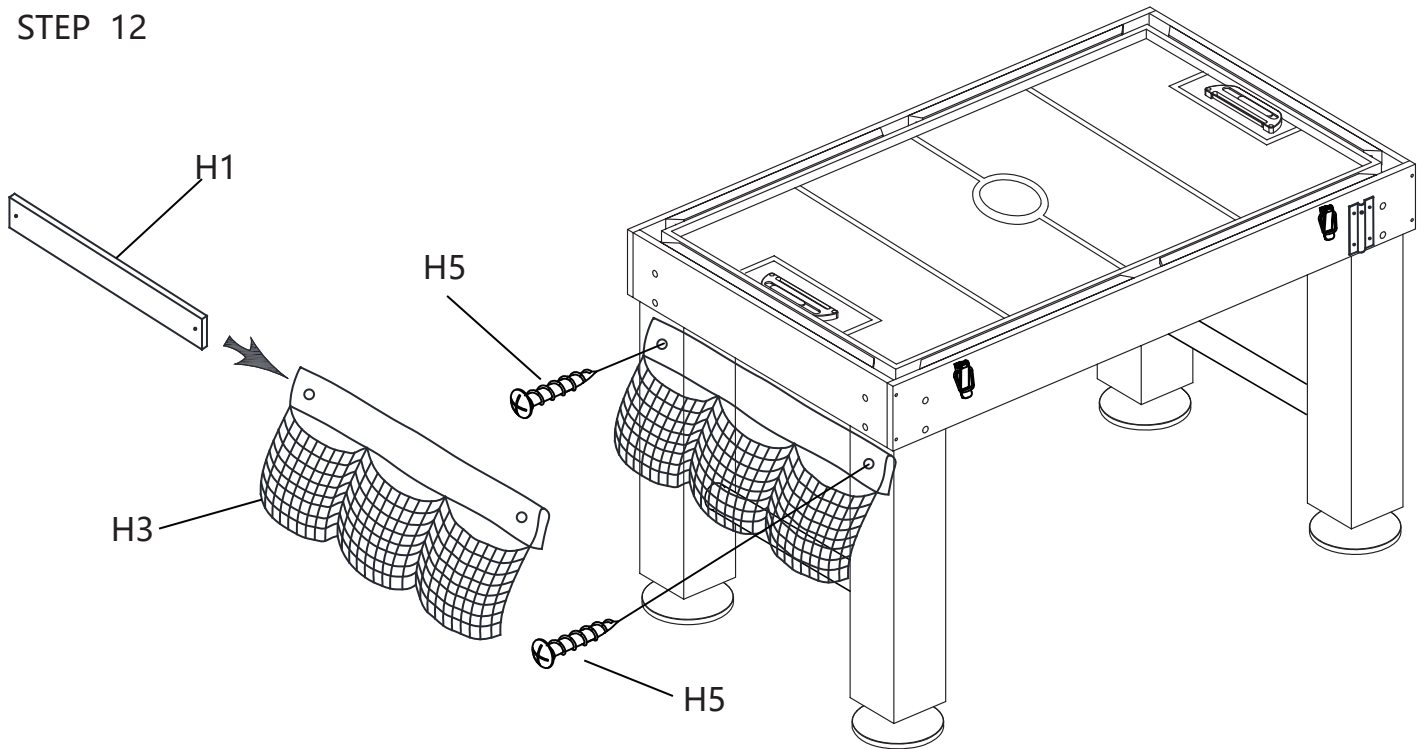
## STEP 11



# Assembly Instructions

WARNING: TWO ADULTS ARE NEEDED TO ASSEMBLE THE SOCCER TABLE

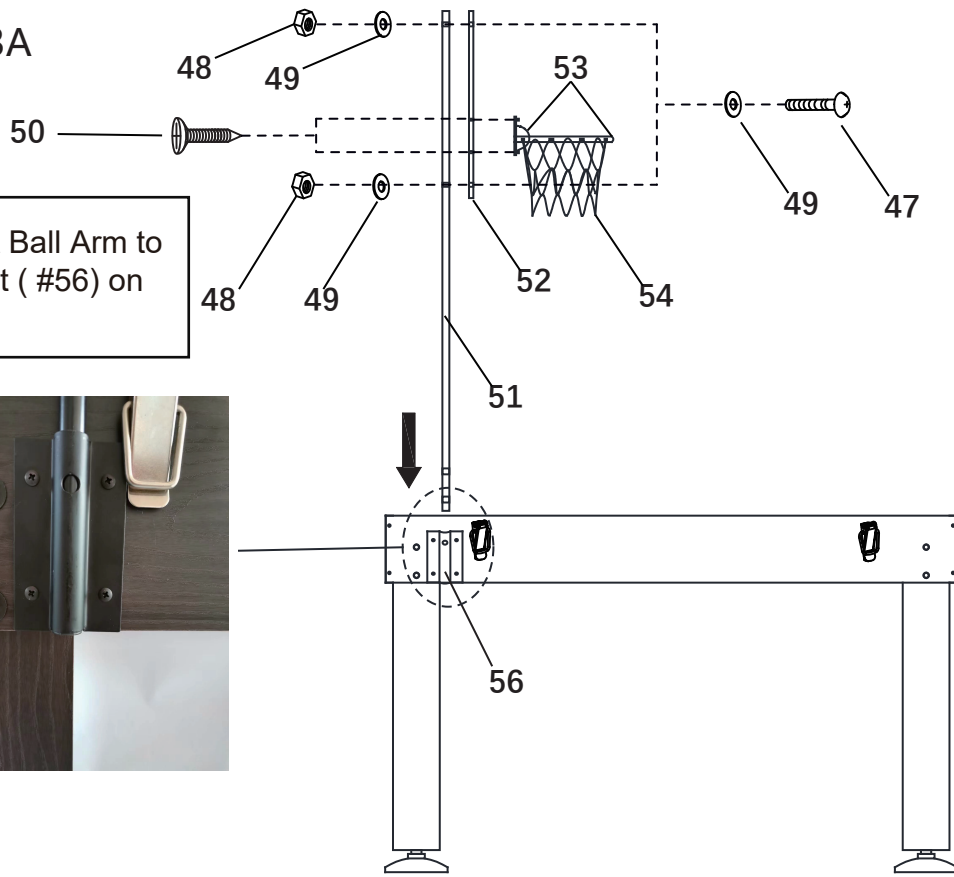
## STEP 12



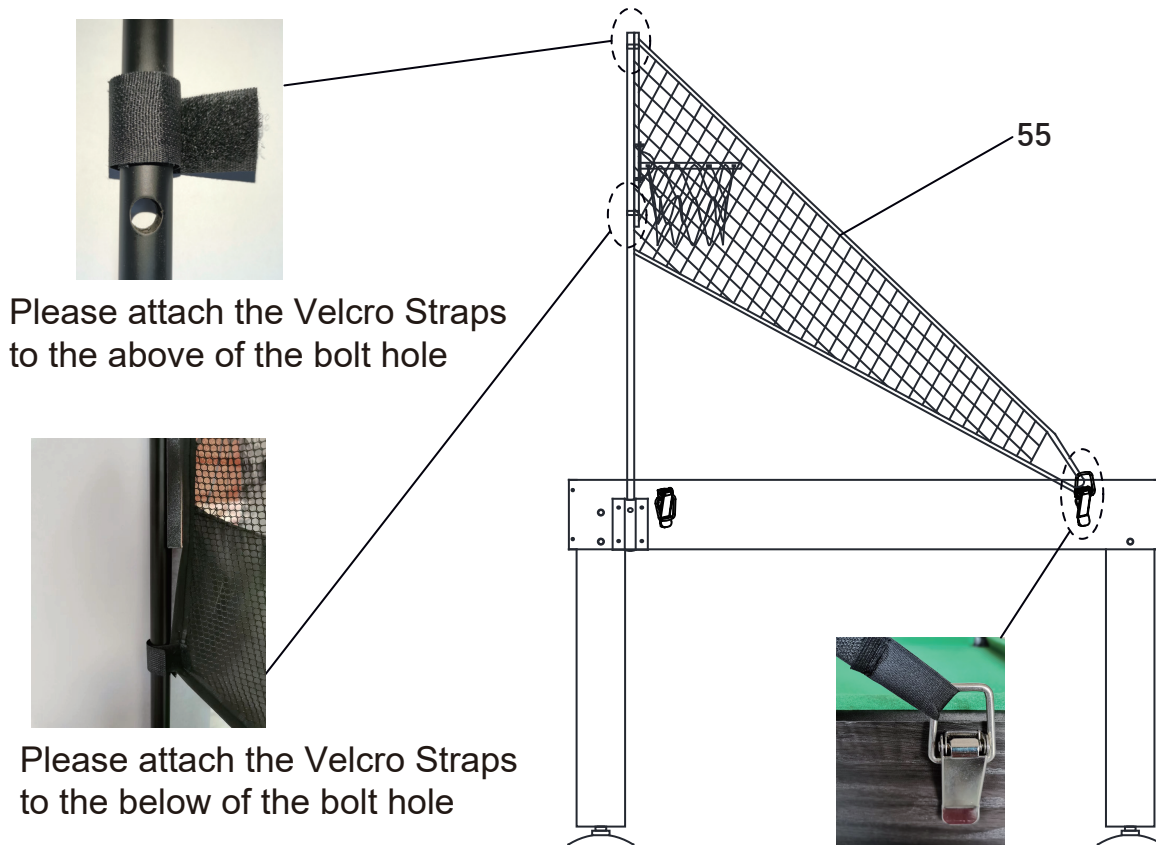
# Assembly Instructions

**WARNING: TWO ADULTS ARE NEEDED TO ASSEMBLE THE SOCCER TABLE**

## STEP 13A



## STEP 13B



# Assembly Instructions

WARNING: TWO ADULTS ARE NEEDED TO ASSEMBLE THE SOCCER TABLE

